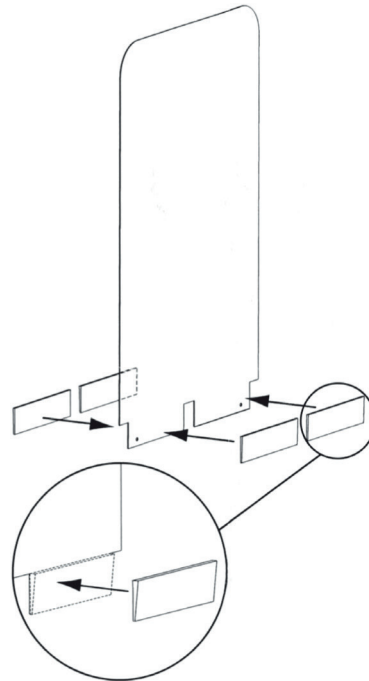




Pavement Signs - Instructions

Step 1

Peel the protective backing from the back of the black plastic wedges and stick them to the base of the aluminium panel as shown below. Make sure to position them correctly with two on each side and the thin edge of the wedge at the bottom. Apply pressure to the wedges to make sure there is a firm bond with the panel.



Step 2

With the four wedges correctly attached to the aluminium panel, lower the panel into the slots in the base.

