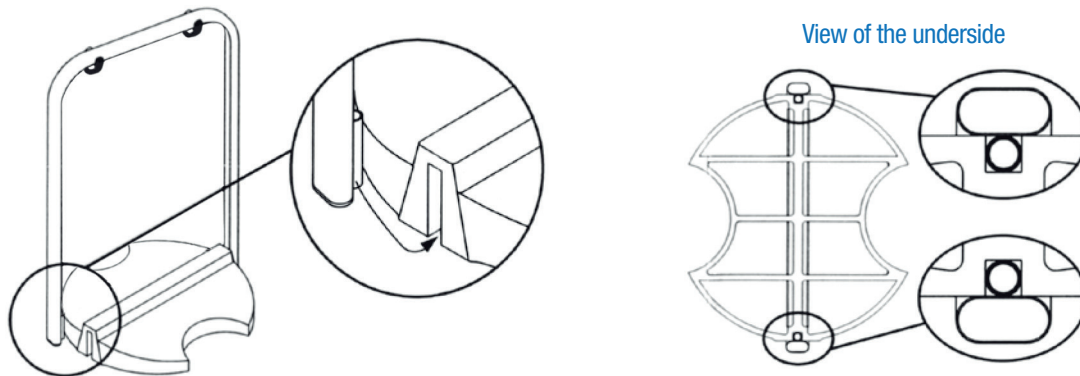




Pavement Swing Signs - Instructions

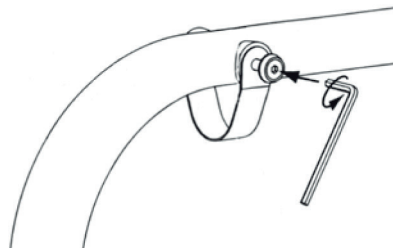
Step 1

With one side of the frame positioned in the slot on one side of the base, carefully manoeuvre the other side of the frame into the opposite slot as shown in the diagram below left. Once the frame is slotted in on both sides of the base, check the underside to make sure they are fully inserted. The diagram below right shows how it should fit.



Step 2

Remove the screw and fixings from one side of each panel hanging clip using the 4mm allen key.



Step 3

Hang the panel over the hanging clips. Reassemble the panel hanging clips using the screws and fixings, then tighten using the allen key.

